

**INFINITE
RECHARGE**



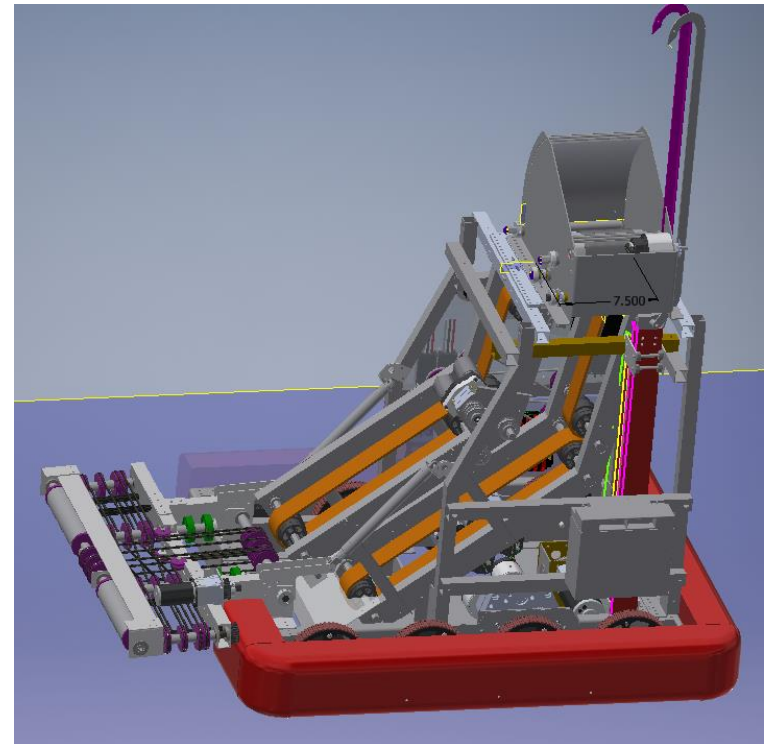
TEAM 3176

Parents Meeting – Pre-Competition
25 February 2020

TEAM **3176** PURPLE PRECISION

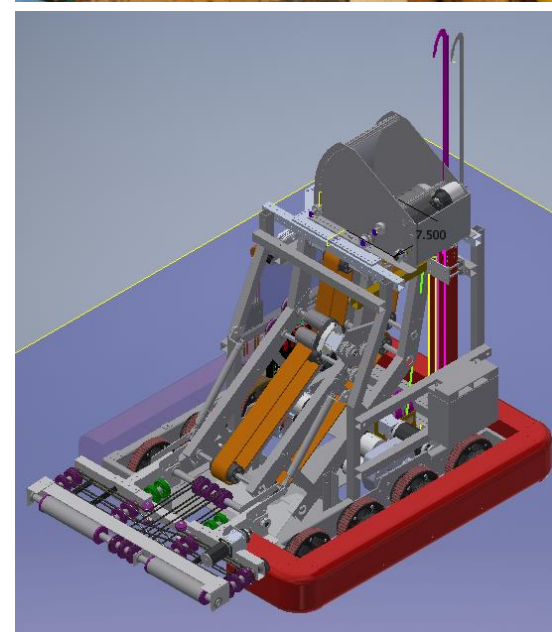
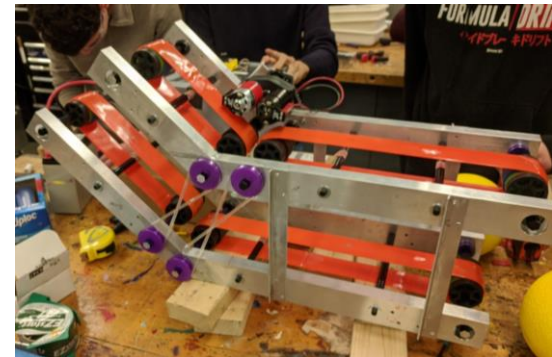
Agenda

- Build Season Summary
- Competition Season Schedules
- Financial Update
- Forms / Registration
- White Papers
- Questions & Answers
- Robot shop tour (*informal*)



Build Season

- Video summaries published weekly
 - Digital Animation & Chairman's submissions
- Even more use of CAD *before* fab & assy
 - Design iterations before CNC cutting metal / Lexan
 - Improved in multi-user assemblies
- Tank drive system *with* pneumatic shifters
- Investment in *re-usable* components
 - Most of Robot Hardware / Inventory budget is usable on future robots (e.g., RoboRio, Falcon motors, controllers, gears, pneumatics)
 - Invested in Tools / Safety / Shop organization
- Building two robots
 - Test out design concepts on “practice” robot
 - Refine for “competition” robot





Competition Schedule

- **2020 District Competitions (2 of 4)**
 - **Mar 7-8 (Sat/Sun) - Bloomington South HS**
 - Mar 14-15 (Sat/Sun) - Penn HS, Mishawaka
 - Mar 20-21 (Fri/Sat) - Columbus North HS
- **Mar 27-28 (Fri/Sat) - Perry Meridian HS**
- **2020 Indiana State Championship**
 - Apr 4-5 (Sat/Sun) - Jefferson HS, Lafayette
 - Top 32 teams qualify to compete

Middle weekend of Spring Break

Last weekend of Spring Break

- *Events FREE to the public!*
- *Competitions streamed*



Field Trip Guidelines



General Rules

- Please remember BHS Code of Conduct and Team 3176 Student Handbook still apply, and students represent Team 3176 professionally
- These can be LONG days
 - Stay in groups of 3+ if you need to leave the stands briefly
 - *Competitions are not a requirement but a privilege*
- If students have any issues, please find one of the team co-sponsors or other adult mentor

Travel Logistics



Getting to / from competitions

- No overnights this year
- BCSC school bus leaving early each morning from Brownsburg West Middle School
 - Some students (~4) will go up/back afternoon before (drive / pit) for Load-In
- Returning late each evening
- **Logistics Survey** issued prior to each competitions to plan bus travel and team lunch

Event Schedule



- **March 7 & 8 (Bloomington South HS)**
- **March 27 & 28 (Perry Meridian HS)**
- **Detailed bus times will be emailed prior to each competition**

Day 1

~6:30 AM – Students arrive at BWMS

8:00 AM - 10:30 AM Pits Open & Practice

10:30 AM - 11:00 AM Opening Ceremonies

11:00 AM - 1:00 PM Qualification Matches

1:00 PM - 2:00 PM Lunch Break

2:00 PM - 7:00 PM Qualification Matches

8:00 PM Pits Close

~9:00 PM – Approx. Return to BWMS

DAY 2

~6:30 AM – Students arrive at BWMS

8:00 AM Pits Open

9:00 AM - 9:30 AM Opening Ceremonies

9:30 AM - 12:30 PM Qual Matches

12:30 PM - 1:00 PM Alliance Selections

1:00 PM - 2:00 PM Lunch Break

2:00 PM - 5:00 PM Play-off Rounds

5:00 PM - 6:30 PM Awards Ceremony

7:00 PM Pits Close

~8:00 PM – Approx. Return to BWMS

State Championship Event



- **April 4 & 5 (Lafayette Jefferson HS)**
- **Team would need to qualify for State Championship**
- We have in 2015, 2016, 2017 (barely), 2018, & 2019
 - Top 32 robots in the state (out of ~60)
 - We won't know until at the end of our final District competitions
- Last weekend of Spring Break



Food Arrangements

- Lunches will be coordinated by the team this season
 - Team has grown to make volunteer food too complex
 - Worked very well last 2 seasons
- Concessions will also be available throughout the day for spectators
- Students should pack snacks as needed

- Bus trip specifics
 - Early long bus rides – students may want to pack addl food
 - Please eat breakfast ahead of time
 - Dinner on the road is not planned for students

Team Uniforms



- Past two years the team established a team uniform that can be used for all the years a student is on the team
- More durable shirt than standard T-shirt
- Recommend wear T-shirt under uniform
- All students received two shirts for the 2-day competitions
- Students will need to take care of the jerseys or purchase a new one



Thank you to our sponsors!



The Avgerinos Family

Jeff Rader Enterprises Inc



Hilligoss Bakery

The Ohnmeiss Family



CryoCyte



Travel Requirements



- For students to attend the competition events, they will have needed to complete:
 - **Handbook forms (incl Field trip form)**
 - **Registered on-line with *FIRST***
 - Parent account if under 18
 - **Indiana *FIRST* Consent / Release form**
 - **Two (2) team white papers**
 - **Financial Sponsor visit**
 - **Academic eligibility**

Contact Info

E-mail: Team3176@brownsburg.k12.in.us

Team Website

<http://team3176.com/>

Remind Code

@frc3176

Twitter

@Team3176 @IndianaFIRST

YouTube

<https://www.youtube.com/user/Team3176>

Team Co-Sponsors

Nathan Heidegger & Dawn Mayer



Thank you!

TEAM 3176

P U R P L E P R E C I S I O N