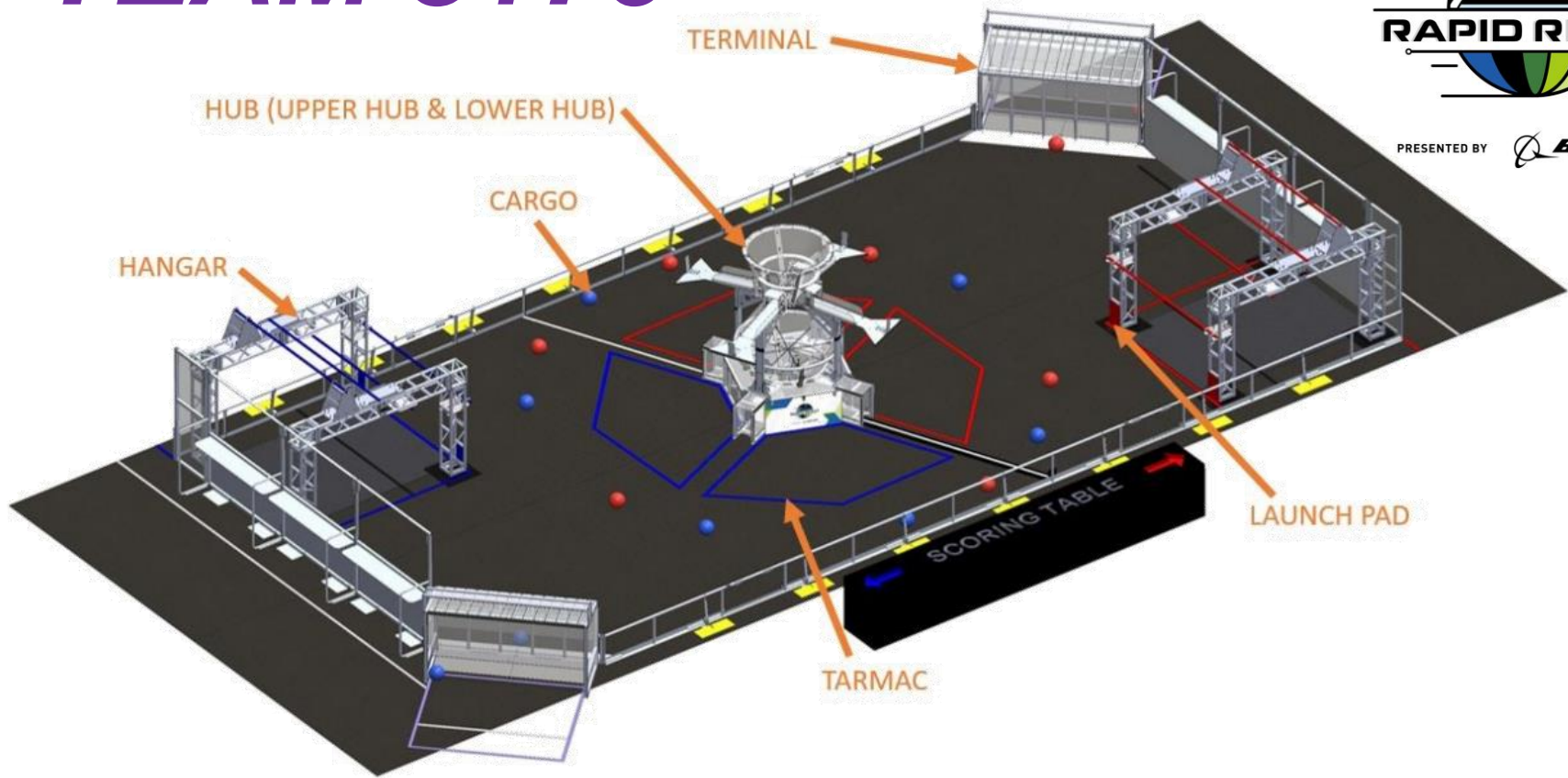


TEAM 3176



PRESENTED BY BOEING



Parents Info Pack – Pre-Competition *February 2022*

Agenda

- Build Season Summary (*so far*)
- Competition Season Schedules
- Field Trip Guidelines
- Travel / Food Logistics
- Uniforms
- Travel requirements

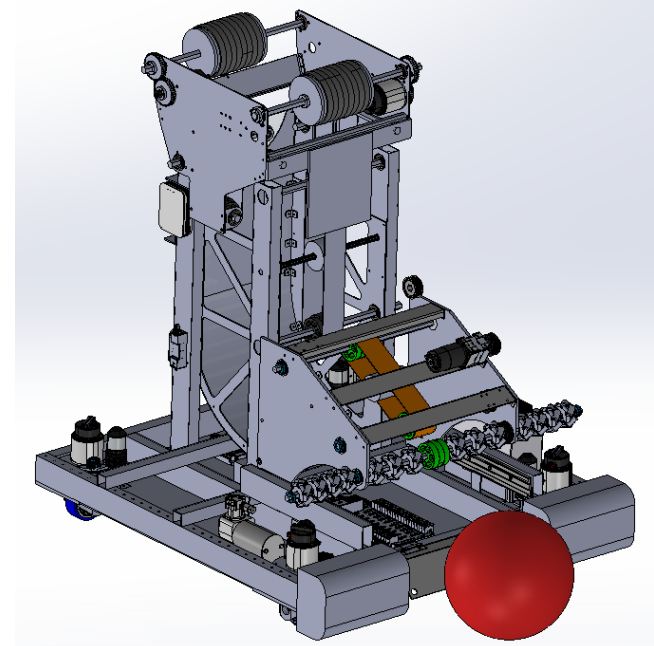
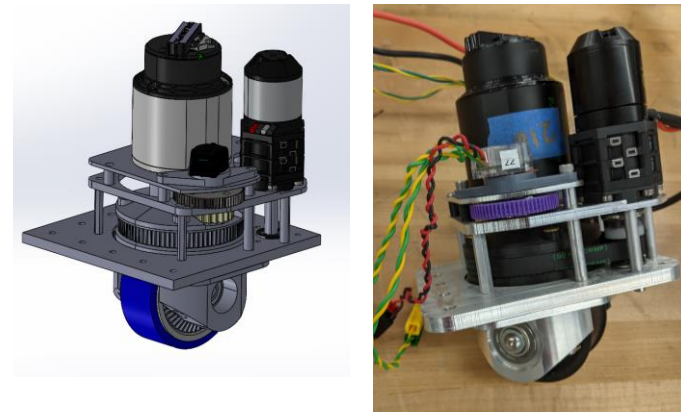


Build Season



PRESENTED BY BOEING

- Video summaries published weekly
 - Dean's List, Woodie Flowers, & Chairman's Award submissions
- Use of CAD before fab & assy
 - Design iterations and refinement before CNC cutting metal / Lexan plastic
- Revolutionized our swerve pod design this year – more compact
- Investment in *re-usable* components
 - Most of Robot Hardware / Inventory budget is usable on future robots (e.g., RoboRio v2.0, Neo motors, controllers, gears)
 - Continue to invest in Tools / Safety / Shop organization



Competition Schedule



PRESENTED BY 

- **2022 District Competitions (2 of 3)**
 - Mar 5-6 (Sat/Sun) - Northwestern HS (Kokomo)
 - **Mar 19-20 (Sat/Sun) - Columbus East HS**
 - **Mar 25-26 (Fri/Sat) - Jefferson HS, Lafayette**
- **2022 Indiana State Championship**
 - Apr 15-16 (Fri/Sat) - Rose-Hulman
 - Top 32 teams qualify to compete

First weekend of Spring Break

Middle weekend of Spring Break

- *Events FREE to the public!*
- *Competitions streamed*



Field Trip Guidelines



PRESENTED BY 

General Rules

- Please remember BHS Code of Conduct and Team 3176 Student Handbook still apply, and students represent Team 3176 professionally
- These can be LONG days for some students
 - Stay in groups of 3+ if you need to leave the stands briefly
 - *Competitions are not a requirement but a privilege*
- If students have any issues, please find one of the team co-sponsors or other adult mentor

Travel Logistics



Getting to / from competitions

- No overnight stays this year
- BCSC school bus leaving early each morning from Brownsburg High School
 - Some students will go up/back afternoon before (drive / pit) for Load-In
- Returning late each evening
- **Logistics Survey** issued prior to each competitions to finalize bus travel and team lunch
 - Follow-up from recent initial survey

Approx. Event Schedule Times



- **Mar 19-20 - Columbus East HS**
- **Mar 25-26 - Jefferson HS, Lafayette**
- **Detailed bus times will be emailed prior to each competition**

Day 1

~6:30 AM – Students arrive at BHS

8:00 AM - 10:30 AM Pits Open & Practice

10:30 AM - 11:00 AM Opening Ceremonies

11:00 AM - 1:00 PM Qualification Matches

1:00 PM - 2:00 PM Lunch Break

2:00 PM - 7:00 PM Qualification Matches

8:00 PM Pits Close

~9:00 PM – Approx. Return to BHS

DAY 2

~6:30 AM – Students arrive at BHS

8:00 AM Pits Open

9:00 AM - 9:30 AM Opening Ceremonies

9:30 AM - 12:30 PM Qual Matches

12:30 PM - 1:00 PM Alliance Selections

1:00 PM - 2:00 PM Lunch Break

2:00 PM - 5:00 PM Play-off Rounds

5:00 PM - 6:30 PM Awards Ceremony

7:00 PM Pits Close

~8:00 PM – Approx. Return to BHS

State Championship Event



- **Apr 15-16 (Fri/Sat) - Rose-Hulman**
- **Team will need to qualify for State Championship**
- We have gone from 2015 to 2019 (*no events in 2020 or 2021*)
 - Top 32 robots in the state (out of ~50)
 - We won't know until at the end of our final District competitions
- Happens to fall on Easter weekend

Food Arrangements



- Lunches will be provided by the team
 - Worked very well in past seasons
 - Typically Jimmy John's and/or pizza with bottled water
- Concessions will also be available throughout the day for spectators
- Students should pack snacks as needed and bring refillable water bottle
- Bus trip specifics
 - Early/late long bus rides – students may want to pack addl food
 - Please eat breakfast ahead of time
 - Dinner on the road is not planned for students

Team Uniforms

- The team established a team uniform that can be used for all the years a student is on the team
- More durable shirt than standard T-shirt
- New students are receiving two shirts for the 2-day competitions
- Students will need to take care of the jerseys or purchase a new one



PRESENTED BY  BOEING



*"Legacy" Jersey
Out of production*

Travel Requirements



PRESENTED BY  **BOEING**

- For students to attend the competition events, they will have needed to complete:
 - **Field trip form** (*to be issued shortly*)
 - **Registered on-line with *FIRST***
 - Parent account if student under 18
 - **Indiana *FIRST* Consent / Release form**
 - **Financial Sponsor visit**
 - **Academic eligibility**

Contact Info

E-mail: Team3176@brownsburg.k12.in.us

Team Website

<http://team3176.com/>

Remind Code

@frc3176

Twitter

@Team3176

@FIRSTINRobotics

YouTube

<https://www.youtube.com/user/Team3176>

Team Co-Sponsors

Nathan Heidegger & Dawn Mayer



PRESENTED BY  BOEING

